

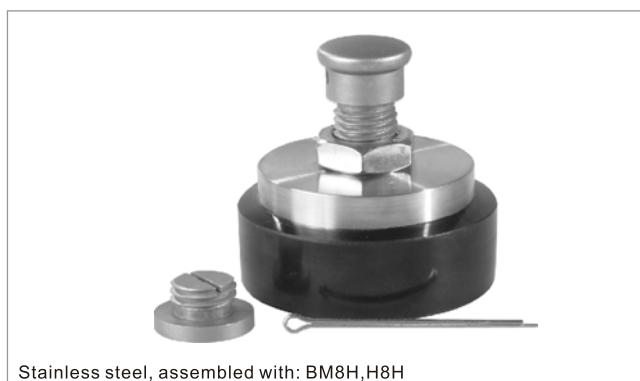
Accessory

BJ-8-207

Capacity	Part number
0.25t-2t	BJ-8-207-0.25/2t
5t	BJ-8-207-5t
500lb-4Klb	BJ-8-207-500lb/4K
10K	BJ-8-207-10K

Features:

Easy installation, adjustable height, automatically centralized inside, good ability of anti-side loading. Mainly used for platform scales, floor scales and other electronic weighing devices.



Outline Dimension mm(inch)

